


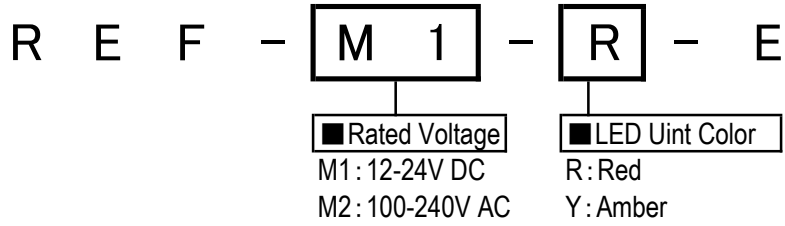
SPECIFICATIONS

[1.General Specifications]

Product Name		Explosion-proof Beacon	
Model		REF-M1	REF-M2
Rated Voltage		12-24V DC	100-240V AC (50/60Hz)
Operating Voltage Range		10-30V DC	90-250V AC (50/60Hz)
Rated Current Consumption *1	Max.	0.4A	0.1A
Rated Power Consumption *1	Max.	5.5W	5.0W
Operating Ambient Temperature		-20°C to +55°C	
Operating Ambient Humidity		Less than 90% (No condensation)	
Storage Ambient Temperature		-30°C to +65°C	
Storage Ambient Humidity		Less than 90% (No condensation)	
Mounting Location		Indoor & Outdoor	
Mounting Direction		Upright	
Protection Rating		IP65 (IEC 60529) *2	
Environmental Condition		Upright	
Vibration Resistance		45m/s ² (JIS C 60068-2-6 : 2010)	20m/s ² (JIS C 60068-2-6 : 2010)
Environmental Condition		Upright	
Insulation Resistance		More than 1MΩ at 500V DC between live part and non-current carrying metallic part	
Withstand Voltage		VAC applied for 1min between live part and non-current carrying metallic part without breaking insulation	
		500V AC	1500V AC
Flashing Rate		Triple-flash 120 flashes per minute	
Rotation Flashing Rate		120 rpm	
Luminous Intensity (Typ.)		Red: 150cd, Amber: 220cd	
Mass (Tolerance ±10%)		7.06kg	
Outer Dimensions		Refer to [3.Outer Drawing]	
Conformity Standards		IEC 60079-0 : 2017 (Ed.7) and IEC 60079-1 : 2014 (Ed.7) EN IEC 60079-0 and EN IEC 60079-1 RoHS Directive (EN50581), ATEX Directive 2014/34/EU	
Explosion-proof Specifications	Ex mark	IECEx - Ex db II B+H ₂ T6 Gb ATEX -  II 2 G Ex db II B+H ₂ T6 Gb	
	Explosion-proof Zone	Zone 1 (Class I hazardous locations) Zone 2 (Class II hazardous locations)	
Remarks		*1 Characteristics may vary from specifications. *2 Protection Rating based on in-house evaluation, not IECEx/ATEX certified. There are no contents of controlled substances exceeding the threshold for the RoHS Directive.	

[2.Model]

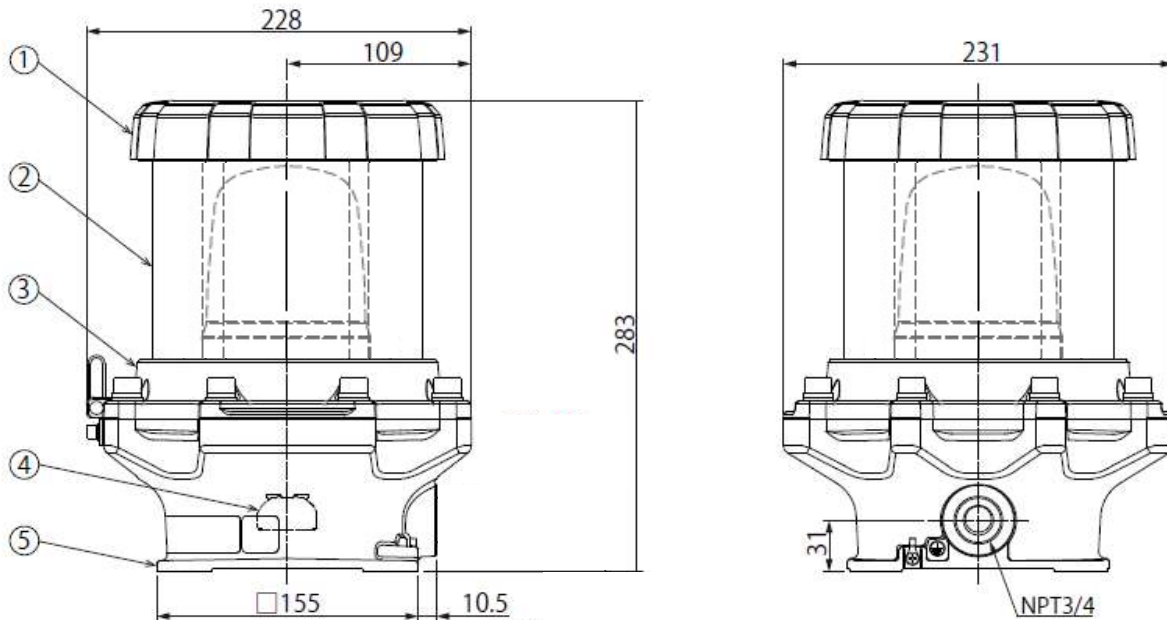
Model Number Configuration



[3.Outer Drawing]

3.1 Outer Dimension Drawing

[mm]

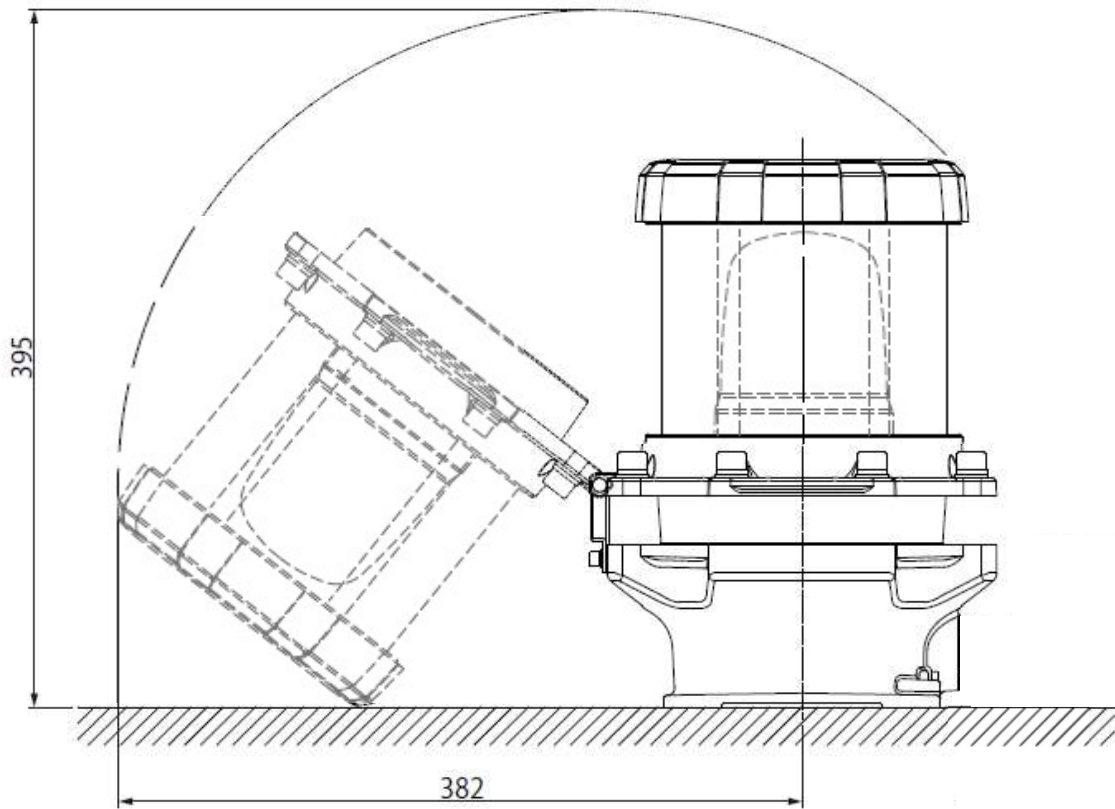


No.	Name	Material
1	Head Cover	ADC12
2	Glass Globe	Hard glass
3	Body A	ADC12
4	Screwless Terminal	-
5	Body B	ADC12

Drawing No.	Rev.	Page
REF-M1-E-W18	E	3/4

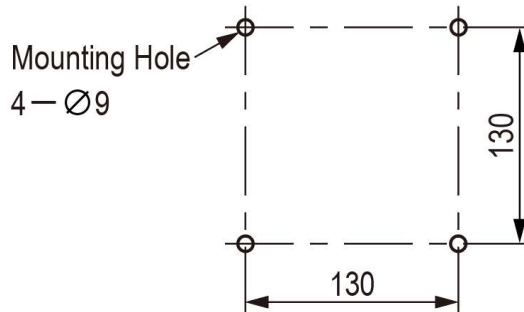
3.2 Required Space Drawing when Wiring

[mm]



[4.Mounting Dimensional Drawing]

[mm]

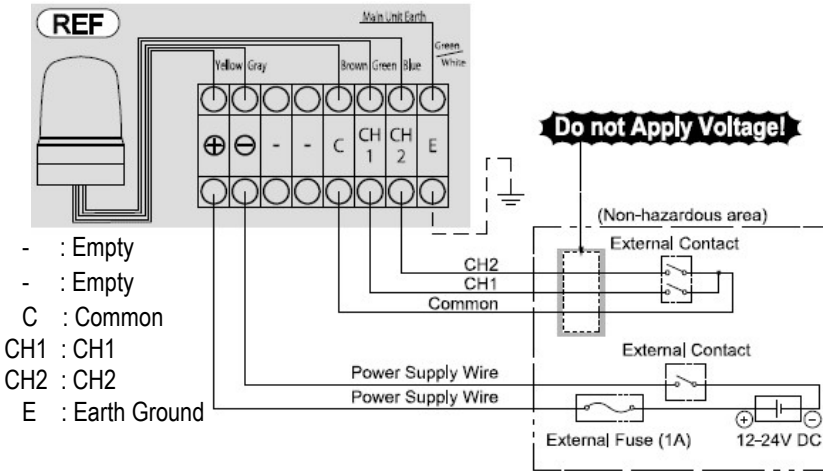


Bolt/Nut
M8 × 4 places
※Bolt/Nut not included.

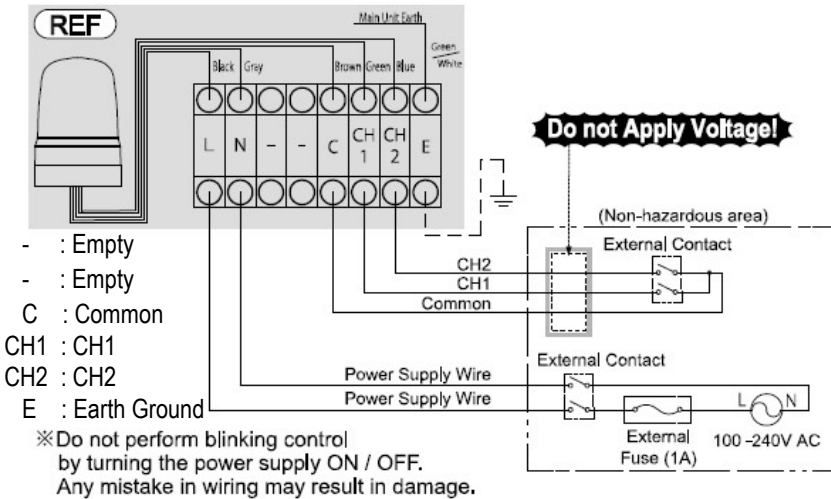
Recommended Tightening Torque
12.3N·m

[5.Wiring Drawing]

■ REF-M1

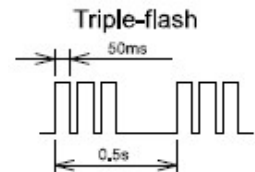


■ REF-M2

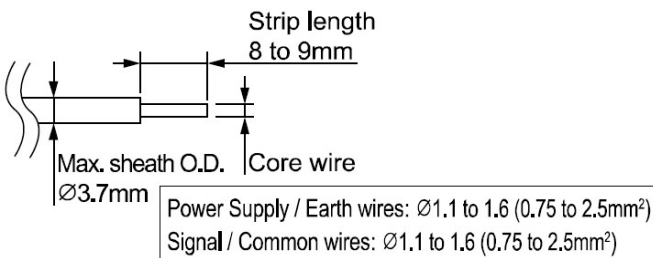


■ Flash Pattern

Wiring [CH1 / CH2]			
CH1 OFF / CH2 OFF	CH1 ON / CH2 OFF	CH1 OFF / CH2 ON	CH1 ON / CH2 ON
Triple-flash	Dim. Triple-flash	Continuous	Rotating(120RPM)



■ Terminal Conformity Cable



※For stranded wires, twist them firmly to prevent fraying or bending.

■ Cable gland

Certified Ex cable gland (Marking: Ex db II C Gb) shall be used to equipment and installed in accordance with EN/IEC 60079-14.